

LED FLOOD LIGHT

INSTALLATION GUIDE



VOLTS	AC 100-240V /277V 50 /60Hz
PROTECTION CLASS	Class I (Default) /Class II
POWER FACTOR	>0.95
OPERATING TEMP.	-40°C ~ +50°C
BEAM ANGLE	25°,60°,90°,110° or Asymmetrical
HOUSING	High pressure die-cast aluminum Tempered glass
HOUSING COLOR	Gray (Default) / Black (available on request)
MOUNTING	Bracket mounted
Mounting Location	Wall /Pole /Floor /Ceiling
IP RATING	IP66
IK RATING	IK10
WARRANTY	5 years

Version	Nominal Wattage W	Fixture Dimension mm	Fixture Weight kg	Packing Type units /ctn	EPA m ²
Small	30 /40 /50	345 x226 x81	2.3(±0.1)	1	0.094
Medium	60 /80 /100 /120	447 x311 x90	4.4(±0.1)	1	0.172
Large	150 /180 /200 /240	495 x378 x90	6.0(±0.1)	1	0.225

BRACKET MOUNTING & CONNECTION INSTRUCTIONS

STEP 1: Open the packaging and check the product. In case of any damage, contact us.

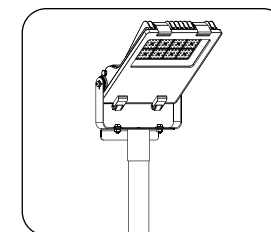
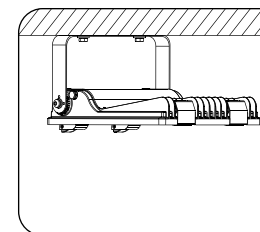
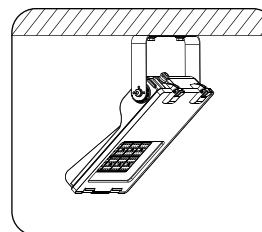
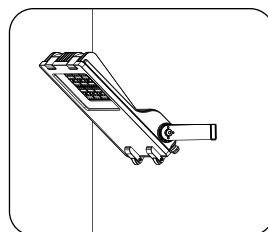
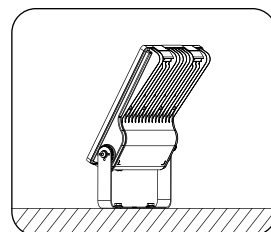
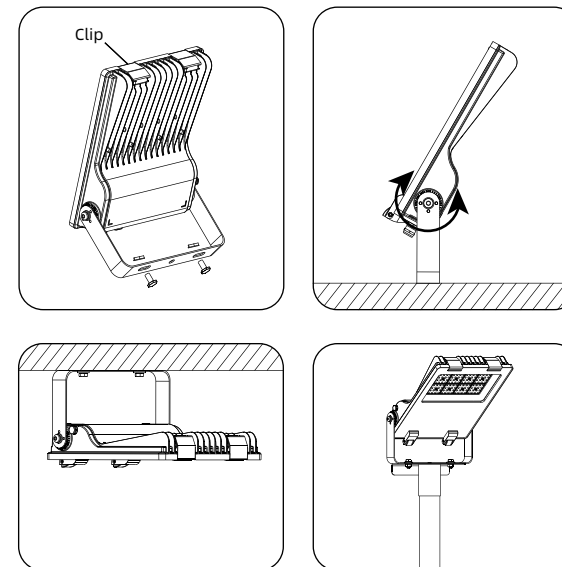
STEP 2: Adjust the flood light to direct the light in the desired direction before tightening the screws.

STEP 3: Be sure to connect the cable correctly. Brown-Live, Blue- Neutral, Yellow/Green- -Ground.

STEP 4: Switch the voltage on and check to see that the flood light works properly.

Maintenance: Toolless open clips of the light body then replace the LED or Driver.

Recommended torque: 17Nm ± 1Nm



CAUTION

- Installation and maintenance must be performed by professionals only.
- Please ensure the holder is strong enough and the screws are tightened.
- The ground wire must be securely connected.
- Please make sure the lamp is working with correct input voltage.
- Cut off the power before maintenance.
- Do not use chemicals or corrosive cleaner to clean the fixture.
- If the external flexible cable or cord of this luminaire is damaged, it shall be exclusively replaced by qualified person in order to avoid a hazard.