

LED BAY LIGHTS

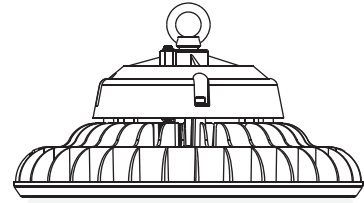
INSTALLATION INSTRUCTIONS

IMPORTANT SAFEGUARDS

When using electrical equipment, basic safety precautions should always be followed including the following:

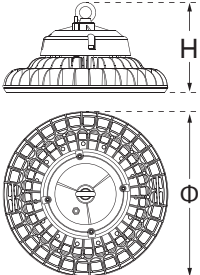
READ AND FOLLOW ALL SAFETY INSTRUCTIONS

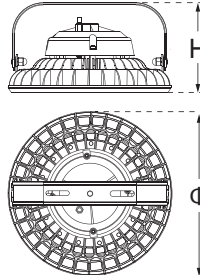
1. This product can be used in a wide range of places, such as workshop, warehouse, parking garage, area lighting, etc. The luminaire is IP65 rated.
2. To avoid the possibility of electrical shock, turn off power supply before installation or servicing. Installation and servicing should be performed by qualified personnel.
3. Product must be installed in accordance with your local electrical code.
4. Do not change the structure or any components of the fixture to ensure safety.



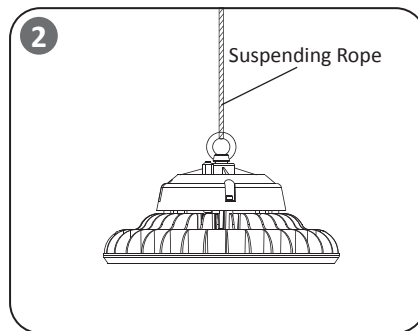
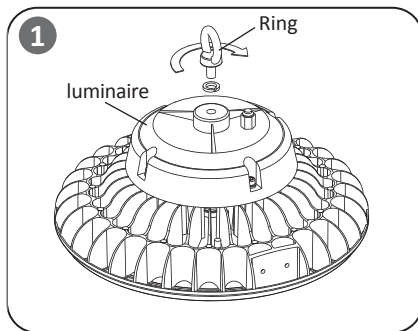
100-240V/277V AC, 50/60Hz, Suitable for Wet Locations (IP65), Class I
* This product must be grounding.

SAVE THIS INSTRUCTIONS FOR FUTURE REFERENCE

Ring Mounted				
	Nominal Wattage	100W	160W	200W
	" Φ " Diameter	350 mm	350 mm	350 mm
	"H" Height	193 mm	193 mm	193 mm
	Weight	4.4 kg	5.2 kg	5.2 kg

Bracket Mounted				
	Nominal Wattage	100W	160W	200W
	" Φ " Diameter	350 mm	350 mm	350 mm
	"H" Height	193 mm	193 mm	193 mm
	Weight	5.2 kg	6.1 kg	6.0 kg

TO INSTALL:



RING MOUNTED

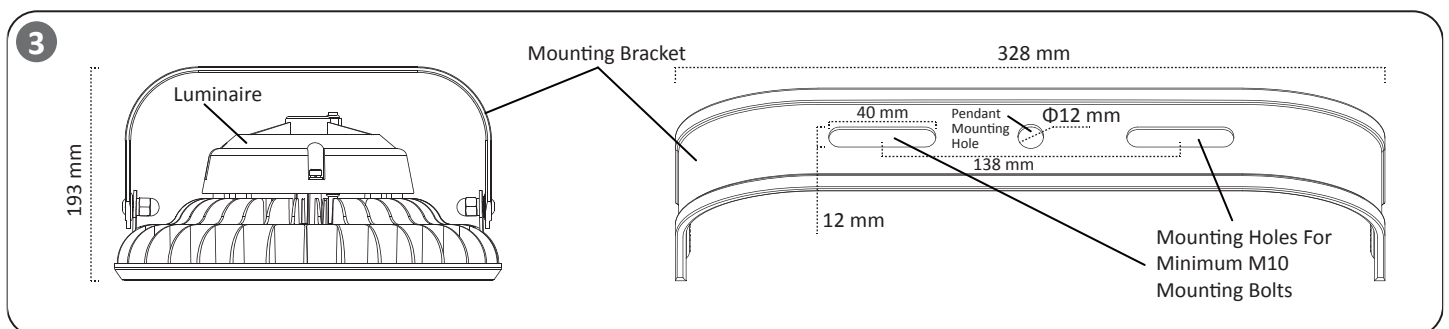
STEP 1:

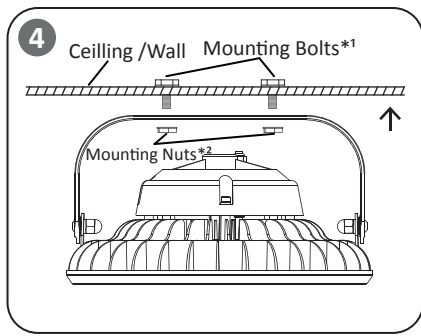
Fix the spring washer to the driver.

STEP 2:

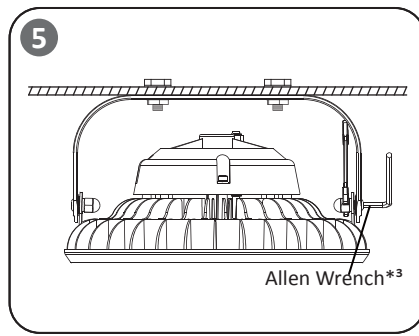
Take the steel rope or chain through the ring.

BRACKET MOUNTED



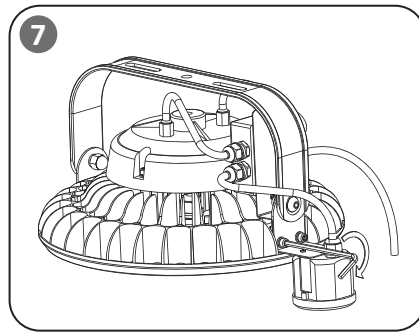
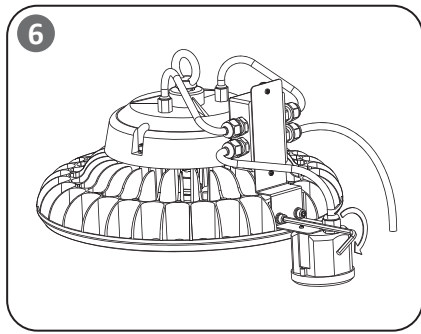


- *1 Minimum M10 Bolts (not-provided)
- *2 Mounting Nuts are not provided
- *3 Allen Wrench: 8mm



STEP 1:
Use M10 screws and nuts to fix the luminaire on the roof or other place .

STEP 2:
Adjust the angle and then tighten the screws.



SMART CONTROLS MOUNTED

Ring mounted

Fix the motion sensor components to the luminaire with M6*14 inner hexagon screw and M6 spring washer by 5mm allen wrench.

Bracket mounted

1. Loosen the screws of one side of the bracket by 5mm allen wrench.
2. Put the fixed plate of the motion sensor components between the heat sink and bracket.

IMPORTANT

Check whether it concerns an AC(Alternating Current) based or DC(Direct Current) based system.

ELECTRICAL CONNECTIONS - 100-240V/277V AC, 50/60Hz

AC BASED

STEP 1:

Make the following Electrical Connections:

- a. Connect **INPUT GROUND** conductor to **GREEN WIRE** position of the terminal block or GROUND conductor of LED driver.
- b. Connect **INPUT VOLTAGE** conductor to **BROWN WIRE** position of the terminal block or LIVE conductor of LED driver.
- c. Connect **INPUT NEUTRAL** conductor to **BLUE WIRE** position of the terminal block or NEUTRAL conductor of LED driver.

STEP 2:

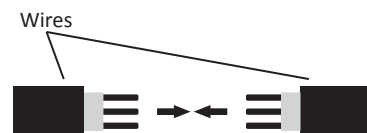
Make sure all the connection are correct.

STEP 3:

If the fixture without a terminal block, please insulate all electrical connections with wire nuts suitable for at least 90°C.

Input cable should be at least H05RN-F 3x1.0mm²(SJTW 18AWG) or outdoor grade cable with rubber sheathed(not supplied). The cable must have a minimum cross sectional area of 1.0mm²(18AWG).

FIXTURE WIRING



Connect the wires.

*If the fixture with built-in 3 in 1 dimming function, please connect INPUT POSITIVE(+) signal conductor to DIM+ (BLUE WIRE), INPUT NEGATIVE(-) signal conductor to DIM-(WHITE WIRE) of LED driver.



The light source contained in this luminaire shall only be replaced by the manufacturer or his service agent or a similar qualified person.

Caution, risk of electric shock



This marking indicates that this product should not be disposed with other household wastes throughout the EU. To prevent possible harm to the environment or human health from uncontrolled waste disposal, recycle it responsibly to promote the sustainable reuse of material resources. To return your used device, please use the return and collection systems or contact the retailer where the product was purchased. They can take this product for environmental safe recycling.