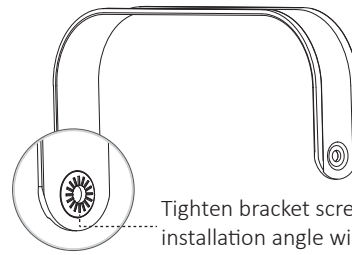


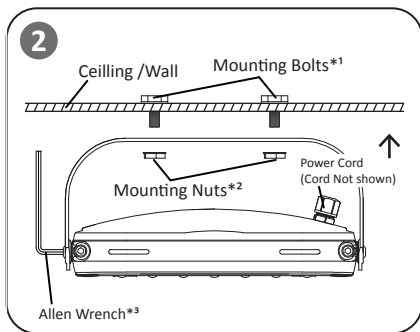
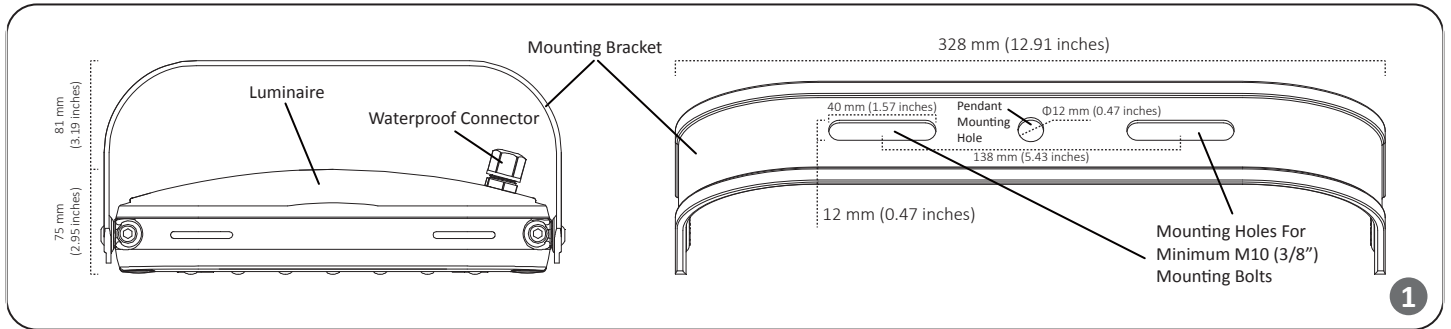
IMPORTANT SAFEGUARDS

When using electrical equipment, basic safety precautions should always be followed including the following.

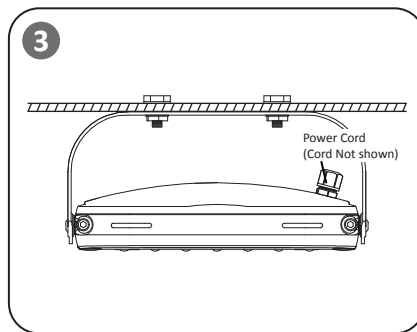
Power(w)	Modules	Dimension(mm) [High Bay Light/ Flood Light]	Weight(kg) [High Bay Light/ Flood Light]
40/ 50/ 60	1	293*340*156/ 293*340*186	3.1/3.1
80/ 100/ 120	2	366*340*156/ 366*340*223	4.3/4.4
120/ 150/ 180	3	439*340*156/ 439*340*259	5.2/5.4
160/ 200/ 240	4	512*340*156/ 512*340*296	6.0/6.3
200/ 240	5	585*340*156/ 585*340*332	7.0/7.2
240	6	658*340*156/ 658*340*369	7.8/8.1
400/ 480	8	824*340*296/ 824*340*369	12.0/14.6



TO INSTALL:



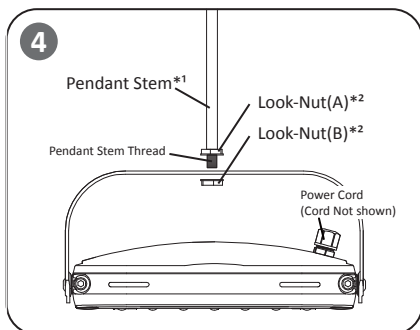
*1 Minimum M10 (3/8") Bolts (not-provided)
 *2 Mounting Nuts are not provided
 *3 Allen Wrench: 8mm (5/16")



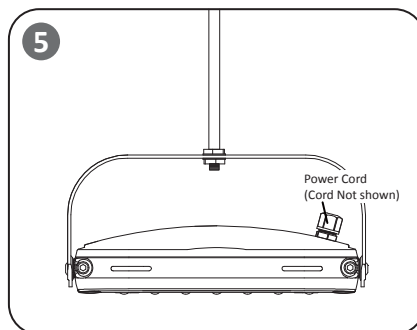
STANDARD MOUNTING (High Bay Lights)

STEP 1:
 Assemble the mounting bracket to the fixture by provided M10 (3/8") round head screws.

STEP 2:
 Mount the fixture by TWO(2) minimum M10 (3/8") bolts. See **Figure 2**.

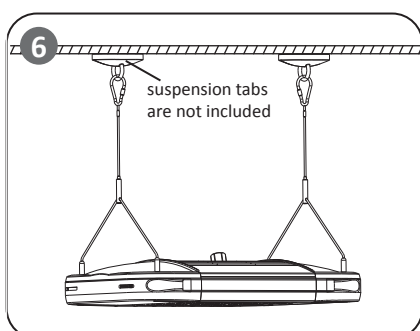


*1 Pendant Stem can not be the soft material (not-provided)
 *2 Look Nuts are not provided



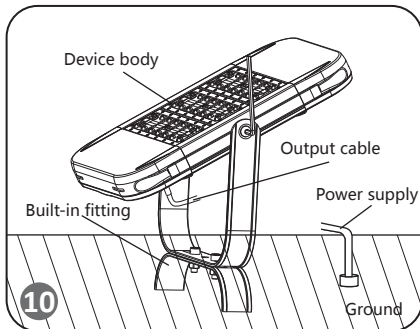
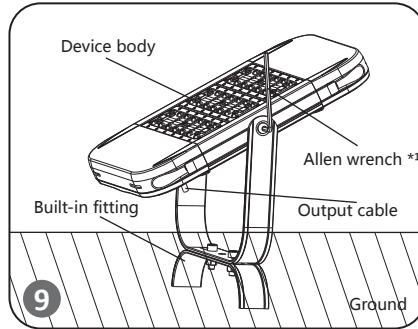
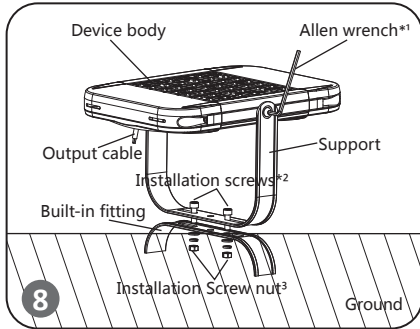
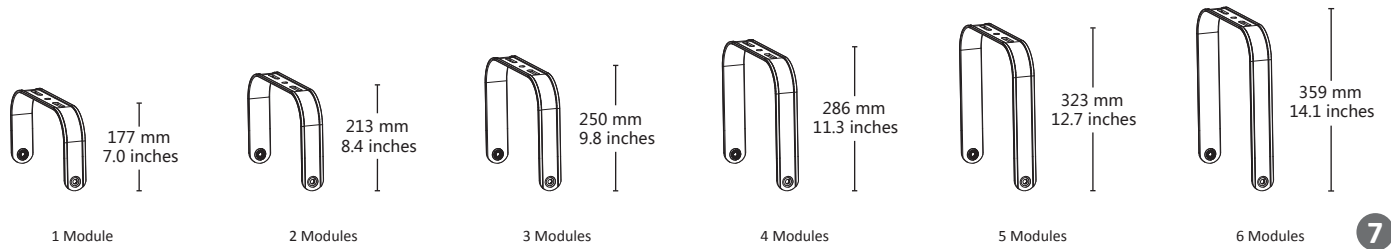
STEP 3:
 Loosen the mounting bracket screws, adjust the fixture to desire position, re-secure the screws.

STEP 4:
 Connect the **Power Cord** to the supply wiring per "**Electrical Connections**" section for completing electrical connections.



Optional Suspended Mounting

Support height (Floodlights)



*1 Allen wrench: 6mm
 *2 Minimum M10 screws (Not provided)
 *3 Screw nuts (Not provided)

STANDARD MOUNTING (Floodlights)

STEP 1:

Use an Allen wrench to fix the body and the support (is not necessary to tighten the screws too hard). Align support and built-in fitting, tighten the screws as image8. Align support and built-in fitting, tighten the screws as image3.

STEP 2:

Settle in the adequate angle position and use Allen screw to fix it as image9.

STEP 3:

Connect wire as image10.

IMPORTANT

Check whether it concerns an AC(Alternating Current) based system - 100-240V/277V AC, 50/60Hz.

ELECTRICAL CONNECTIONS - 100-240V/277V AC, 50/60Hz

PHASE TO NEUTRAL WIRING

AC BASED

STEP 1:

Make the following Electrical Connections:

- Connect **INPUT GROUND** conductor to **GREEN WIRE** position of the terminal block or GROUND conductor of LED driver.
- Connect **INPUT VOLTAGE** conductor to **BROWN WIRE** position of the terminal block or LIVE conductor of LED driver.
- Connect **INPUT NEUTRAL** conductor to **BLUE WIRE** position of the terminal block or NEUTRAL conductor of LED driver.

STEP 2:

Make sure all the connection are correct.

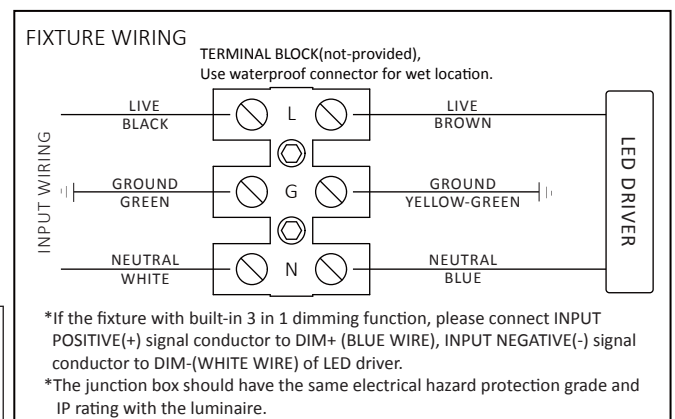
STEP 3:

If the fixture without a terminal block, please insulate all electrical connections with wire nuts suitable for at least 90°C.



- To avoid the possibility of electrical shock, turn off power supply before installation or servicing. Installation and servicing should be performed by qualified personnel.
- Product must be installed in accordance with your local electrical code. If you are not familiar with these codes and requirements, consult a qualified electrician.
- Do not change the structure or any components of the fixture to ensure safety.
- Lock the installation angle after luminaire installed. As following figure.

Input cable should be at least H05RN-F 3x1.0mm²(SJTW 18AWG) or outdoor grade cable with rubber sheathed(not supplied). The cable must have a minimum cross sectional area of 1.0mm²(18AWG).



This marking indicates that this product should not be disposed with other household wastes throughout the EU. To prevent possible harm to the environment or human health from uncontrolled waste disposal, recycle it responsibly to promote the sustainable reuse of material resources. To return your used device, please use the return and collection systems or contact the retailer where the product was purchased. They can take this product for environmental safe recycling.