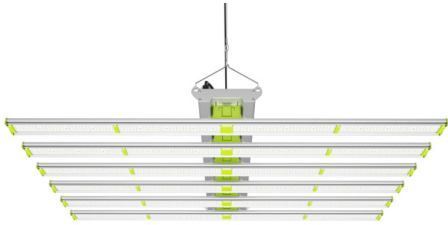


LED GROW LIGHT INSTALLATION GUIDE



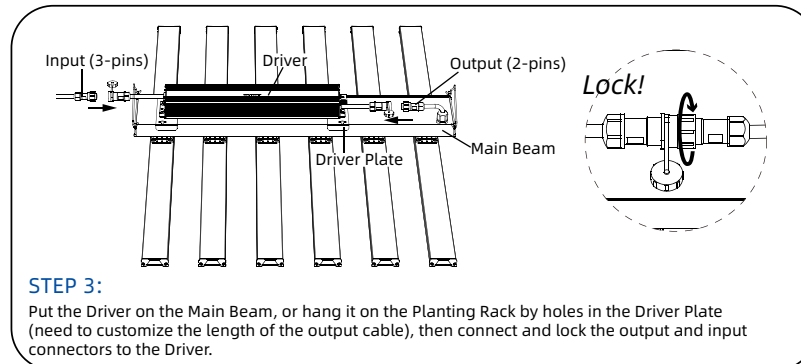
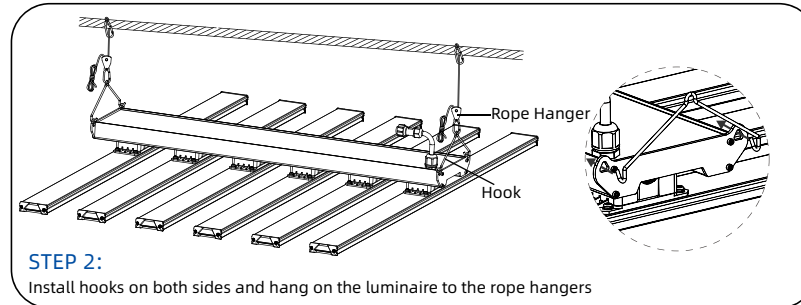
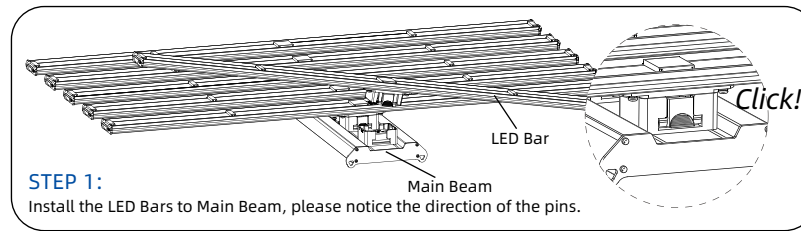
Efficacy	2.60-2.80 $\mu\text{mol}/\text{J}$ @ 240V AC (Can be customized according to request)
AC Input Voltage	AC 100-240V / 277V, 50 / 60Hz
Light Distribution	120°
Mounting Height	6" - 12" (15.2-30.5cm) Above Canopy
Thermal Management	Passive
Working Environment	< 40°C, 10% ~ 90%RH
Dimming	0-10V, Knob Stages: OFF- 25- 50- 75- 100% - EXT (External Dimming enable when dimmer connected.)
Lifespan L90 at 25 °C	> 50,000 hours (11.4 years @ 12 hours/day)
IP Rating	IP65
Warranty	5 Years

CAUTION

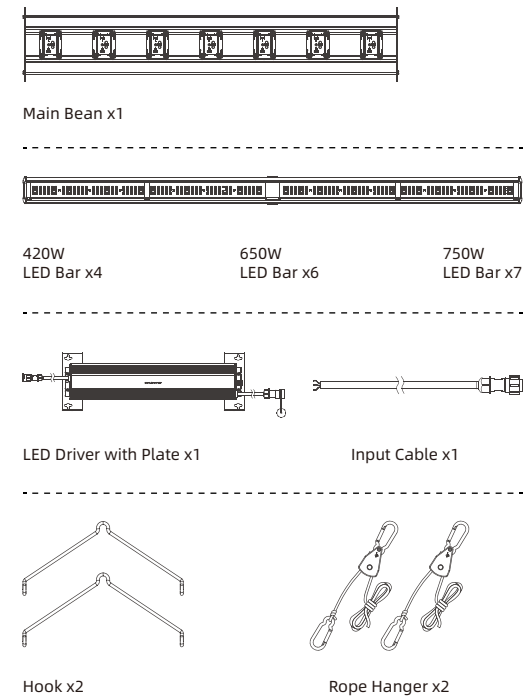
- Installation and maintenance must be performed by professionals only.
- Please ensure the holder is strong enough and the screws are tightened.
- The ground wire must be securely connected.
- Please make sure the lamp is working with correct input voltage.
- Cut off the power before maintenance.
- Do not use chemicals or corrosive cleaner to clean the fixture.
- If the external flexible cable or cord of this luminaire is damaged, it shall be exclusively replaced by a qualified person in order to avoid a hazard.

Bar	Nominal Wattage	Light Output PPF	Fixture Dimension	Fixture Weight	Packing Type
4 Bars	420W	1092-1176 $\mu\text{mol}/\text{s}$	1100 x 508 x 127 mm	7.0 kg	1unit /ctn
6 Bars	650W	1690-1820 $\mu\text{mol}/\text{s}$	1100 x 760 x 127 mm	10.5 kg	1unit /ctn
7 Bars	750W	1950-2100 $\mu\text{mol}/\text{s}$	1100 x 886 x 127 mm	11.5 kg	1unit /ctn

MOUNTING & CONNECTION INSTRUCTIONS



Product Parts List (default)



Product Parts List (Order On Request)

