
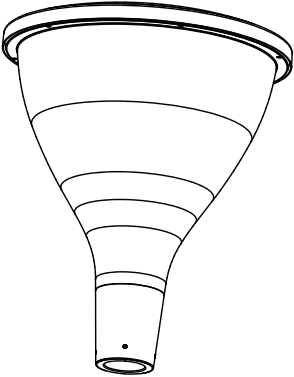

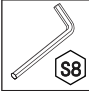








Mounting instructions

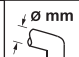

DL1088-B

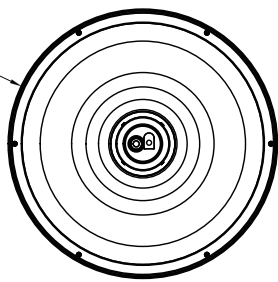





				85V-305V	50Hz 60Hz			IP66	IK09		 Max. 40°C Min. -40°C	
---	---	---	---	-----------------	----------------------	---	---	-------------	-------------	---	---	---

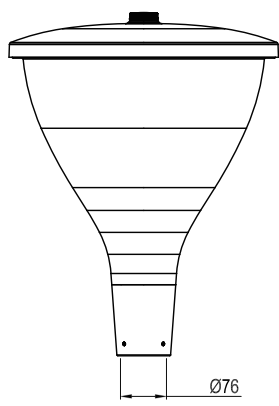
Dimensions in mm

	 Ø mm	 mm	Max.90
--	--	--	--------



Ø569

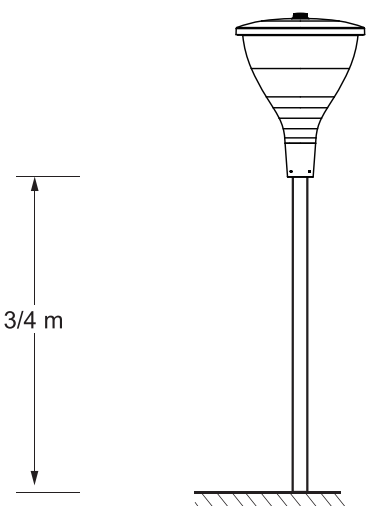
SCx=0.34 m²



723

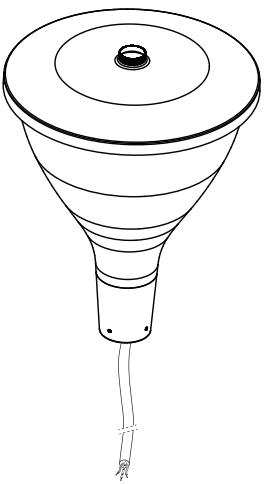
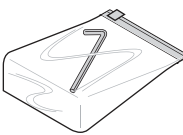
Ø76



SCx=0.047 m²



3/4 m

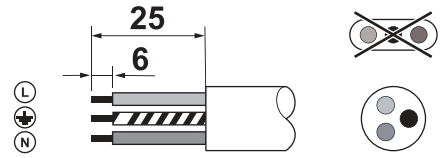
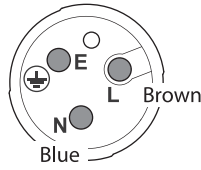
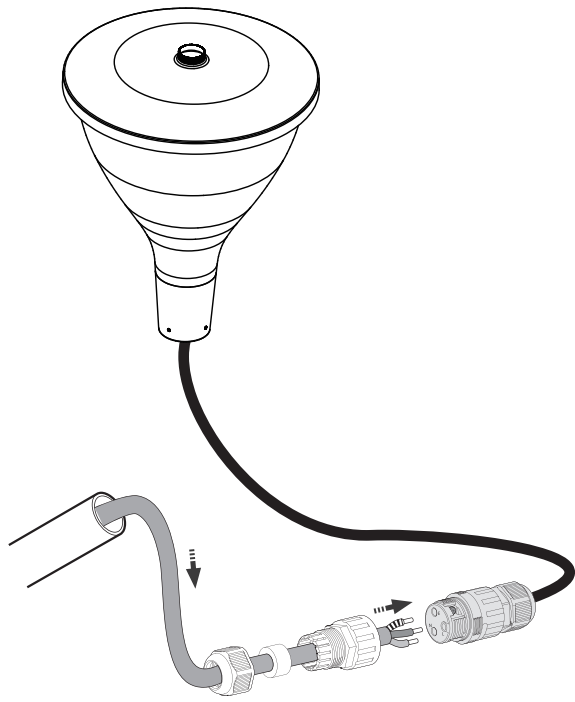
1

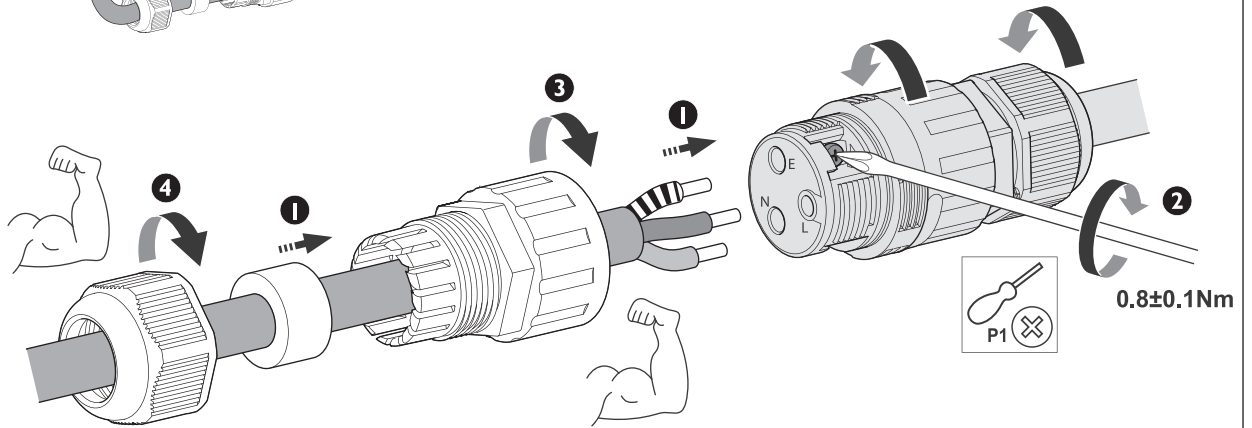



2

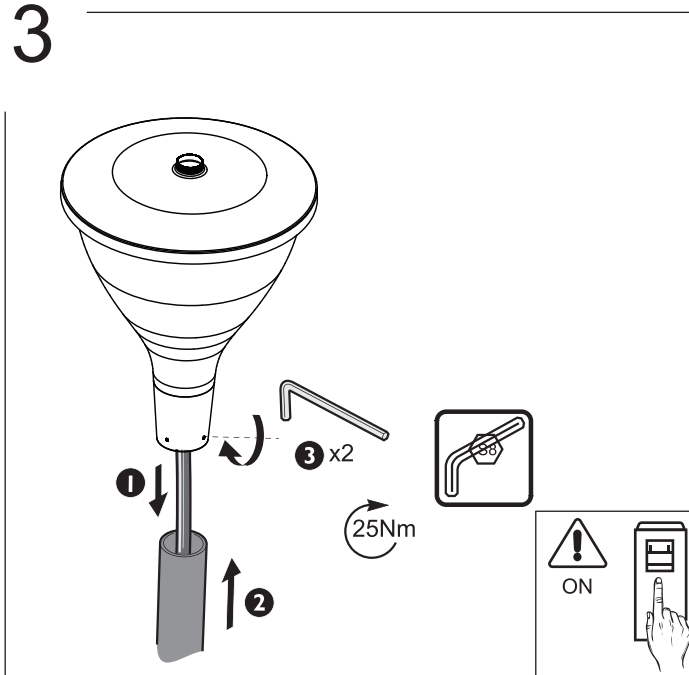
IP68 rated connector not included



Cable: 60245IEC57
Min. $3 \times 1.0 \text{ mm}^2$
Max. $3 \times 2.5 \text{ mm}^2$
 $\Phi 6.5 - \Phi 7.5 \text{ mm}$



3



4

